




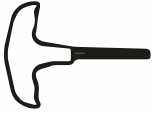




«MODENA»

Medical Stool | Praxishocker | Tabouret de cabinet
Praktijkkrug | Taboret medyczny
Sgabello da ambulatorio | Taburete Médico

REF T170714, T170715 & T170716



 1 1x	 2 1x	 3 5x	 4 1x	 5 1x
 A 1x 5 mm	 B 2x M6 x 25 mm	 C 1x M6 x 45 mm		

